

## ADQ30 Datasheet



The ADQ30 is a high-end 12-bit single-channel data acquisition board optimized for use in high-throughput scientific applications. The ADQ30 features:

- One analog input channel
- 1 GSPS sampling rate
- 12 bits resolution
- 7 GByte/s sustained data transfer rate to GPU
- 7 GByte/s sustained data transfer rate to CPU
- Two external triggers
- General Purpose Input/Output (GPIO)
- Open FPGA for real-time signal processing
- Firmware option for averaging of records
- Firmware option for pulse analysis

## 1 ORDERING INFORMATION

ADQ30 is available with a set of options. Follow the procedure to configure the ADQ30. Start with the hardware configurations. These are factory installed and cannot be changed through software commands.

1. DC-coupled analog front-end is standard.
2. PCIe interface is standard.

Select the firmware options. The firmware FWDAQ is always included. Additional firmware files are distributed as files and can be loaded into the board at any time.

3. Data acquisition firmware **-FWDAQ** is always included
4. Select any set of available firmware packages, **-FWATD**, **-FWPD**.
5. Select accessories, open FPGA development kit **-DEVDAQ**, **-DEVDPD**<sup>1</sup>.
6. Select extended warranty **-W5Y**<sup>2</sup>.

The open FPGA is accessed through the design project for each firmware. For **FWDAQ**, the development kit is **DEVDAQ**. For **FWPD**, the development kit is **DEVDPD**. The development kits are a one-time purchase. The FPGA bit files built from these design projects can be used on any ADQ30 with a valid corresponding firmware license.

---

<sup>1</sup> DEVDPD is available in 2024. Contact Teledyne SP Devices for more information.

<sup>2</sup> Included warranty is 3 years from the date the product is shipped by Teledyne SP Devices. This option extends the warranty to 5 years from the date the product is shipped by Teledyne SP Devices. Warranty extension must be ordered before the included 3 years warranty is expired.

## 2 ADQ30 INTRODUCTION

### 2.1 Features

- One analog input channel
- 1 GSPS sampling rate
- 12 bits resolution
- DC-coupled with 1 GHz bandwidth
- Programmable DC offset
- Internal and external clock reference
- Internal and external sampling clock
- Clock reference output
- Internal and external triggers
- 8 Gbyte data memory
- 7 GByte/s sustained data streaming to CPU and GPU
- Data interface PCIe Gen3 x8
- Averaging firmware FWATD
- Pulse analysis firmware FWPD

### 2.2 Applications

- Time-of-flight mass spectrometry
- Distributed Optical Fiber Sensing
- LIDAR
- Scientific instruments

### 2.3 Advantages

- A compact high-performance digitizer that optimize the system solution
- Real-time processing and high data throughput
- Teledyne SP Devices' design services are available for fast integration to reduce time-to-market

## **2.4 System design optimization; open FPGA and streaming to CPU and GPU**

High-performance data acquisition systems require high speed real-time analysis. ADQ30 offers a variety of options for efficient system design:

### **Streaming to GPU**

ADQ30 supports up to 7 GByte/s peer-to-peer streaming and streaming via pinned buffer to GPU. A GPU offers a powerful platform for implementing application-specific signal processing algorithms.

### **Streaming to CPU**

ADQ30 supports up to 7 GByte/s to host computer. Implementing the application-specific algorithms in the CPU results in an efficient system.

### **Open FPGA for real-time processing**

ADQ30 offers an open FPGA for implementation of the application-specific computations in the FPGA. This gives the most compact system design. Firmware development kit is ordered separately.

### 3 TECHNICAL DATA

Technical parameters are valid for ADQ30 operating with firmware FWDAQ. All parameters are typical unless otherwise noted.

**Table 1 Analog input (front panel label A and B)**

Parameter	Condition	Min	Typical	Max	Unit
<b>Basic parameters</b>					
Number of channels			1		
Sampling rate per channel			1		GSample/s
Bandwidth -3dB			1		GHz
Input range			0.5		V <sub>pp</sub>
Input impedance			50		Ω
Coupling			DC		
Connector type		SMA			
<b>Programmable DC-offset</b>					
DC-offset range		-0.25		+0.25	V
<b>Dynamic performance</b>					
Noise power density	0 to 500 MHz		-144		dBFS/VHz
SNR	0 to 500 MHz, -1dBFS		55		dBc
SFDR	0 to 500 MHz, -1dBFS		64		dBc
ENOB relative full scale	0 to 500 MHz, -1dBFS		8.9		bits
<b>Dynamic performance using FIR filter<sup>3</sup></b>					
SNR	110 MHz, -1dBFS		57		dBc
ENOB relative full scale	110 MHz, -1dBFS		9.4		bits

<sup>3</sup> Built-in user-programmable digital FIR filter; symmetrical, 17 taps. Filter coefficients used for this test are [57, 92, -279, 21, 704, -720, -1163, 4127, 10784] / 2<sup>14</sup>.

**Table 2 Clock generator and front panel CLK connector.**

Parameter	Condition	Min	Typical	Max	Unit
<b>Connector type</b>			SMA		
<b>Internal clock reference</b>					
<b>Frequency</b>			10		MHz
<b>Accuracy</b>			±3 ±1/year		ppm
<b>Internal sampling clock generator</b>					
<b>Frequency</b>			1000		MHz
<b>External clock reference input (from front panel CLK connector)<sup>4</sup></b>					
<b>Frequency</b>		1	10	500	MHz
<b>Frequency<sup>5</sup></b>	Jitter cleaner enabled	10 -10 ppm	10	500 +10 ppm	MHz
<b>Frequency</b>	Delay line used		10	100	MHz
<b>Delay line tuning range</b>			500		ps
<b>Signal level</b>		0.5		3.3	V <sub>pp</sub>
<b>Input impedance</b>	AC		50		Ω
<b>Input impedance</b>	DC		10k		Ω
<b>Input impedance (high)<sup>6</sup></b>	AC		200		Ω
<b>Clock reference output (on front panel CLK connector)<sup>7</sup></b>					
<b>Frequency</b>			10		MHz
<b>Signal level</b>	Into 50-Ω load		1.2		V <sub>pp</sub>
<b>Output impedance</b>	AC		50		Ω
<b>Output impedance</b>	DC		10k		Ω
<b>External direct sampling clock input (from front panel CLK connector)<sup>8</sup></b>					
<b>Frequency</b>			1000		MHz
<b>Signal level</b>		0.5		3.3	V <sub>pp</sub>
<b>Impedance</b>	AC		50		Ω
<b>Impedance</b>	DC		10k		Ω

<sup>4</sup> Using a clock reference from an external source to synchronize the ADQ30 to the external source.

<sup>5</sup> The jitter cleaner requires the reference frequency to be a multiple of 10 MHz within ± 10ppm.

<sup>6</sup> Software-selectable high-impedance mode for bussed connection of multiple ADQ30.

<sup>7</sup> The internal clock reference of the ADQ30 is made available to synchronize external equipment.

<sup>8</sup> Using an external clock while bypassing the internal clock generator.

**Table 3 Front panel TRIG connector**

Parameter	Condition	Min	Typical	Max	Unit
<b>Connector type</b>			SMA		
<b>Used as input (or GPIO)</b>					
<b>Impedance</b>	DC		50		Ω
<b>Impedance (high) <sup>9</sup></b>	DC		500		Ω
<b>Signal level</b>	50-Ω mode	-0.5		3.3	V
<b>Adjustable threshold</b>	50-Ω mode	0		2.8	V
<b>Signal level</b>	High impedance	-0.5		5.5	V
<b>Adjustable threshold</b>	High impedance	0		2.3	V
<b>Pulse repetition frequency</b>	As trigger			10	MHz
<b>Time resolution</b>	As trigger		125		ps
<b>Update rate</b>	As GPIO			62.5	MHz
<b>Used as output (or GPIO)</b>					
<b>Impedance</b>	DC		50		Ω
<b>Output level high VOH</b>	Into 50-Ω load	1.8			V
<b>Output level low VOL</b>	Into 50-Ω load			0.1	V
<b>Pulse repetition frequency</b>				62.5	MHz

**Table 4 Front panel SYNC connector (may be used as a trigger source with larger timing grid)**

Parameter	Condition	Min	Typical	Max	Unit
<b>Connector type</b>			SMA		
<b>Used as input (or GPIO)</b>					
<b>Impedance</b>	DC		50		Ω
<b>Impedance (high) <sup>9</sup></b>	DC		500		Ω
<b>Signal range</b>	50-Ω mode	-0.5		3.3	V
<b>Adjustable threshold</b>	50-Ω mode	0		2.8	V
<b>Signal level</b>	High impedance	-0.5		5.5	V
<b>Adjustable threshold</b>	High impedance	0		2.3	V
<b>Pulse repetition frequency</b>	As trigger			10	MHz
<b>Time resolution</b>	As trigger		8		ns
<b>Update rate</b>	As GPIO			62.5	MHz
<b>Used as output (or GPIO)</b>					
<b>Impedance</b>	DC		50		Ω
<b>Output level high VOH</b>	Into 50-Ω load	1.8			V
<b>Output level low VOL</b>	Into 50-Ω load			0.1	V
<b>Pulse repetition frequency</b>				62.5	MHz

<sup>9</sup> Software-selectable high-impedance mode.

**Table 5 Front panel GPIO connector**

Parameter	Condition	Min	Typical	Max	Unit
<b>Connector type</b>			SMA		
<b>Used as input</b>					
<b>Impedance</b>			50		Ω
<b>Impedance (high) <sup>9</sup></b>			10		kΩ
<b>Input level high VIH</b>		2			V
<b>Input level low VIL</b>				0.8	V
<b>Update rate</b>				62.5	MHz
<b>Used as output</b>					
<b>Output Impedance</b>			50		Ω
<b>Output level high VOH</b>	Into 50-Ω load	1.5			V
<b>Output level high VOH</b>	No load	3.2			V
<b>Output level low VOL</b>	Into 50-Ω load			0.1	V
<b>Output level low VOL</b>	No load			0.1	V
<b>Update rate</b>				62.5	MHz

**Table 6 Custom GPIO expansion. See section 10.**

Parameter	Value
<b>Connector type</b>	40-pin FFC/FPC connector, pitch 0.5 mm
<b>Number of differential IO signals LVDS</b>	8
<b>Number of single-ended IO signals 3.3V</b>	5

**Table 7 Environment and mechanical parameters**

Parameter	Condition	Min	Typical	Max	Unit
<b>Power and temperature</b>					
<b>Power consumption <sup>10</sup></b>	FWDAQ		30		W
<b>Power supply</b>		10.8	12	13.2	V
<b>Operating temperature</b>	At fan inlet	0		45	°C
<b>Size</b>					
<b>Width</b>			1		slot
<b>Length</b>			225.7		mm
<b>Height</b>			111.2		mm
<b>Compliances</b>					
<b>RoHS3</b>			Yes		
<b>CE</b>			Yes		
<b>FCC</b>	Exclusion according to CFR 47, part 15, paragraph 15.103(c).				

<sup>10</sup> Power consumption depends on firmware option and use case. Power consumption is measured during acquisition and streaming of data at 5 Gbyte/s to PC.



**Table 8 Data acquisition**

Parameter	Condition	Min	Typical	Max	Unit
<b>Rearm time<sup>11</sup></b>				16	ns
<b>Acquisition memory (Data FIFO)</b>			8		Gbyte
<b>Record length</b>	Step size 1 sample	2		$2^{32}-1$	samples
<b>Pretrigger<sup>12</sup></b>	Step size 8 samples	0		16 360	samples
<b>Trigger delay<sup>13</sup></b>	Step size 8 samples	0		$2^{35}-8$	samples

**Table 9 Data transfer<sup>14</sup>**

Parameter	Value	Unit
<b>Supported versions of data transfer standard PCIe</b>	Gen1 / Gen2 / Gen3	
<b>Supported number of lanes<sup>15</sup></b>	1 / 4 / 8	
<b>Data rate to CPU sustained with headers</b>	5	GByte/s
<b>Data rate to CPU sustained without headers</b>	7	GByte/s
<b>Data rate to GPU sustained without headers</b>	7	GByte/s
<b>Data rate peer-to-peer to GPU sustained without headers</b>	7	GByte/s

**Table 10 Software support**

Parameter	Value
<b>Operating system<sup>16</sup></b>	Windows / Linux
<b>GUI</b>	Digitizer Studio
<b>Example code</b>	C, Python
<b>API</b>	C / C++

<sup>11</sup> Minimum time from the last sample of a record to the next trigger.

<sup>12</sup> Pre-trigger is set by assigning the parameter “horizontal offset” a negative value

<sup>13</sup> Trigger delay is set by assigning the parameter “horizontal offset” a positive value

<sup>14</sup> The parameters in this table represent the ADQ30 only. The system configuration including the PC may add other limitations.

<sup>15</sup> The ADQ30 must be installed in a 16 lanes slot or a slot with a connector with an open end.

<sup>16</sup> See 15-1494 Operating system support for a detailed listing of supported distributions.

#### 4 FEATURES FOR DATA FLOW CONTROL, SYNCHRONIZATION AND PROCESSING

The ADQ30 features an advanced machine for flow control, synchronization, and signal processing. The block diagrams are shown in Figure 1 and Figure 2. The features are described in the following tables.

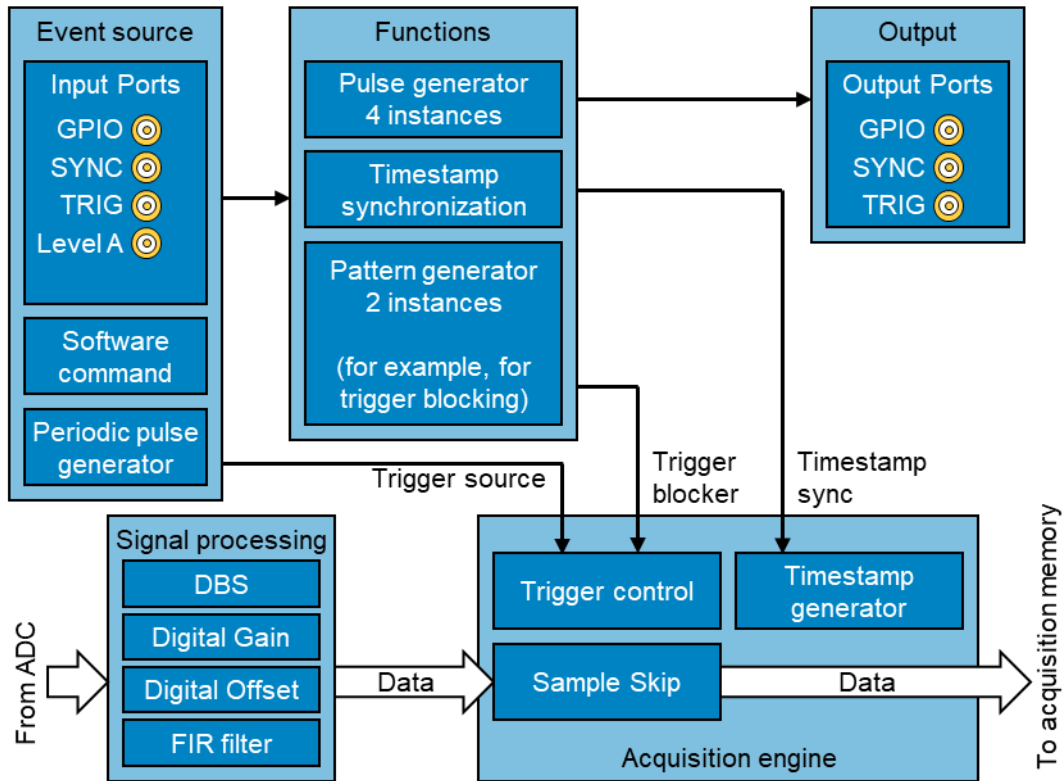


Figure 1 Flow control and synchronization block diagram.

Table 11 Digital signal processing blocks

Object type	Available selections
<b>Digital Signal Processing</b> Included signal processing in the data path for enhanced signal quality.	Digital Baseline Stabilizer (DBS) Digital gain Digital offset Digital FIR filter

**Table 12 Flow control blocks**

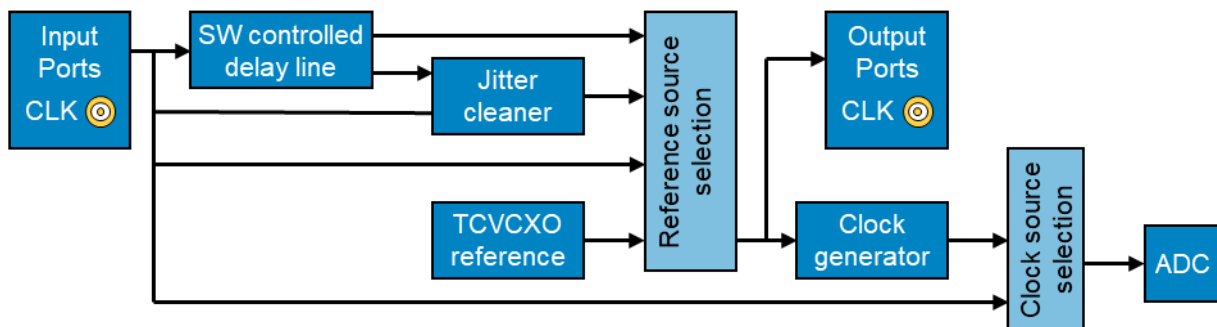
Object type	Available selections
<b>Input ports</b> Electrical connections to the ADQ30 for real-time operation (excluding the PCIe data interface) Used as event source.	Front panel TRIG Front panel SYNC Front panel GPIO Front panel CLK (clock reference or clock input only) Analog channel A
<b>Event sources</b> Signals for real-time control of activities in the firmware of ADQ30.	Software command External TRIG External SYNC External GPIO Internal periodic event generator Level analog channel A
<b>Functions</b> Included operations for real-time control of activities in the firmware of ADQ30.	Pattern generator for timestamp synchronization Pattern generator general purpose, 2 instances Pulse generator, 4 instances
<b>Output ports</b> Electrical connections to the ADQ30 for real-time operation (excluding the PCIe data interface).	Front panel TRIG Front panel SYNC Front panel GPIO Front panel CLK (clock reference output only)

**Table 13 Firmware functions for flow control**

Function	Modes/selections	Event sources as stimuli
<b>Pattern generator for timestamp synchronization</b> Control the time of the ADQ30.		Software command External TRIG External SYNC Internal periodic event generator
<b>Pulse generator (x4)</b> Control output pulse shapes.	Rising edge Falling edge Pulse length Polarity	Software command External TRIG External SYNC Internal periodic event generator
<b>Pattern generator general purpose (x2)</b> For example, used for trigger blocking.	Once Window Gate Trigger counter	Software command External TRIG External SYNC Internal periodic event generator

**Table 14 Firmware functions for acquisition**

Function	Modes	Event Sources as stimuli / control
<b>Trigger</b> Initiate the acquisition of a data record.		Software command External TRIG External SYNC Internal periodic event generator Level analog channel A Level analog channel B
<b>Data acquisition modes</b> Configurations for sending digital data to the host PC.	Fixed record length Dynamic record length (zero suppression)	Selected <b>Trigger</b>
<b>Data transfer modes</b> Transport to CPU / GPU	Streaming with header Streaming without header	User set-up


**Figure 2 Clock generation block diagram.**
**Table 15 Clock generation**

Function	Modes
<b>Clock reference source</b> Phase and frequency reference for the clock system.	Internal External External with jitter cleaner and/or delay line
<b>Sampling clock sources</b> Actual clock for taking the samples of the analog data.	Internal clock generator Direct external clock
<b>Clock output</b>	Selected clock reference

## **5 FIRMWARE**

### **5.1 FWDAQ**

The FWDAQ is always included with the ADQ30. The firmware includes control of the hardware and recording of data.

### **5.2 FWATD**

The FWATD is optional. It includes thresholding for noise suppression and accumulations of waveforms. See datasheet 22-2912 for more details.

### **5.3 FWPD**

The FWPD is optional. It includes detection and analysis of pulses. See datasheet 23-3028 for more details.

### **5.4 Managing firmware**

The digitizer supports multiple firmware images. Note the following about managing firmware images:

- The non-volatile memory on the digitizer can store up to four different firmware images (including the active firmware). Use the tool ADQAssist to change firmware and to upload new images to the digitizer.
- Each hardware can include a license for multiple firmware options. If all firmware images cannot be stored on the device, some may need be stored on the host computer for manual reprogramming via ADQAssist.
- The digitizer (and the enclosing host computer) must be power cycled for the firmware switch to be completed. This is required to let the PCIe bus enumerate with the new firmware.
- Some firmware features require a valid license key to activate. See the ordering information section for details about available firmware features.

## 6 ABSOLUTE MAXIMUM RATINGS

Table 16 Absolute maximum ratings

Parameter	Condition	Min	Max	Unit
Power supply to GND		-0.4	14	V
Operating temperature		0	45	°C
Analog in to GND		-1.75	+1.75	V
TRIG to GND	50-Ω mode	-2	5	V
SYNC to GND	50-Ω mode	-2	5	V
TRIG to GND	500-Ω mode	-2	6	V
SYNC to GND	500-Ω mode	-2	6	V
CLK REF to GND AC amplitude			5	V <sub>pp</sub>
CLK REF to GND DC-level		-5	5	V
GPIO to GND		-1.5	5	V
FFC / FPC differential signal to GND	Powered <sup>17</sup>	-0.5	2.3	V
	Not powered <sup>17</sup>	-0.5	0.5	V
FFC / FPC single-ended signal to GND <sup>17</sup>	Powered <sup>17</sup>	-0.3	3.8	V
	Not powered <sup>17</sup>	-0.3	0.5	V

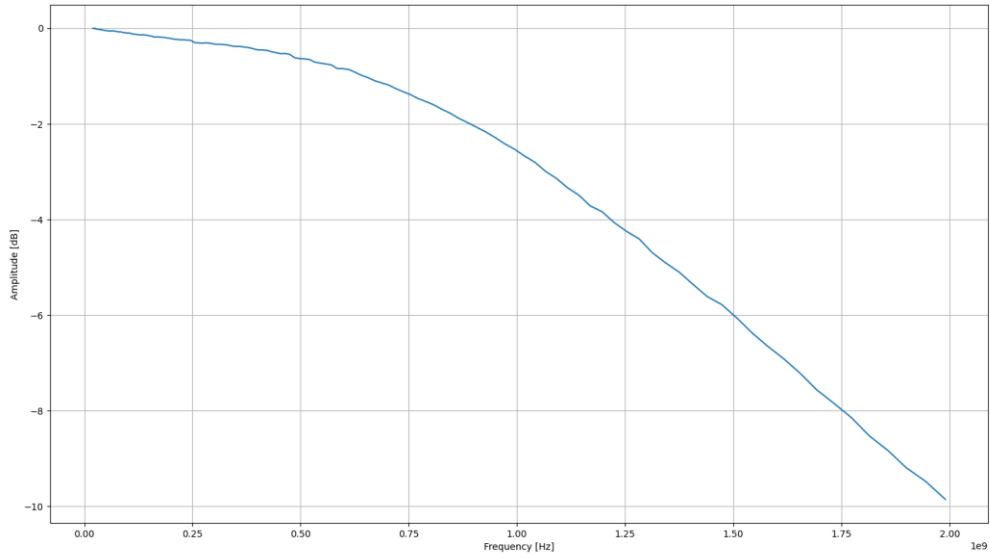
Exposure to conditions exceeding these ratings may reduce lifetime or permanently damage the digitizer. The digitizer with PCIe format has a built-in fan to cool the device. The built-in temperature monitoring unit will protect the digitizer from overheating by temporarily shutting down parts of the device in an overheat situation.

The SMA connectors have an expected lifetime of 500 operations. For frequent connecting and disconnecting of cables, connector savers are recommended.

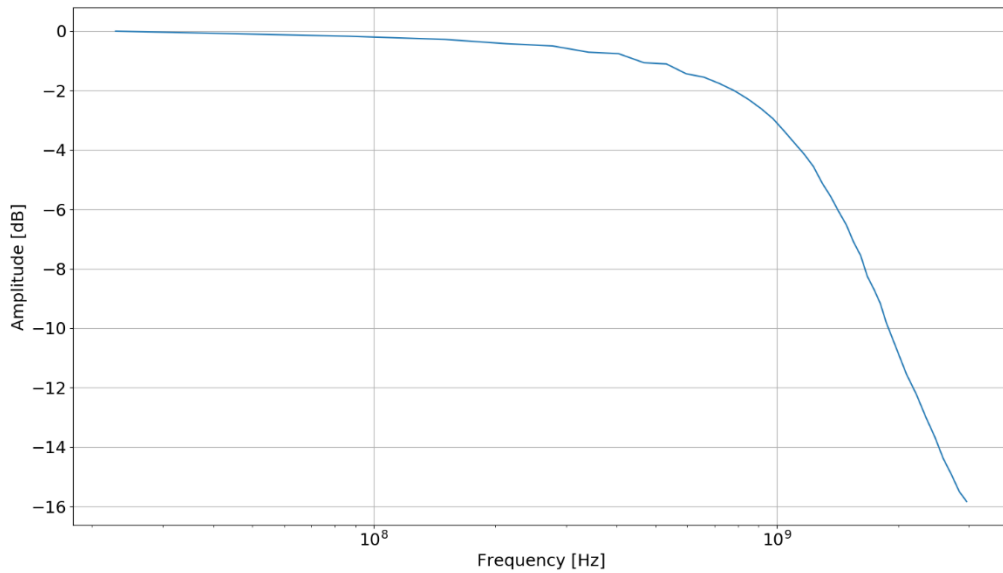
<sup>17</sup> The absolute maximum ratings depend on whether the ADQ30 is powered or not. It is recommended to use the respective power rail in the FFC connector to power or enable the external drivers to avoid driving overvoltage into an unpowered digitizer. Use the 1.8 V rail for the differential signals and 3.3 V for the single-ended signals.

**7 TYPICAL PERFORMANCE**

**7.1 Frequency response**

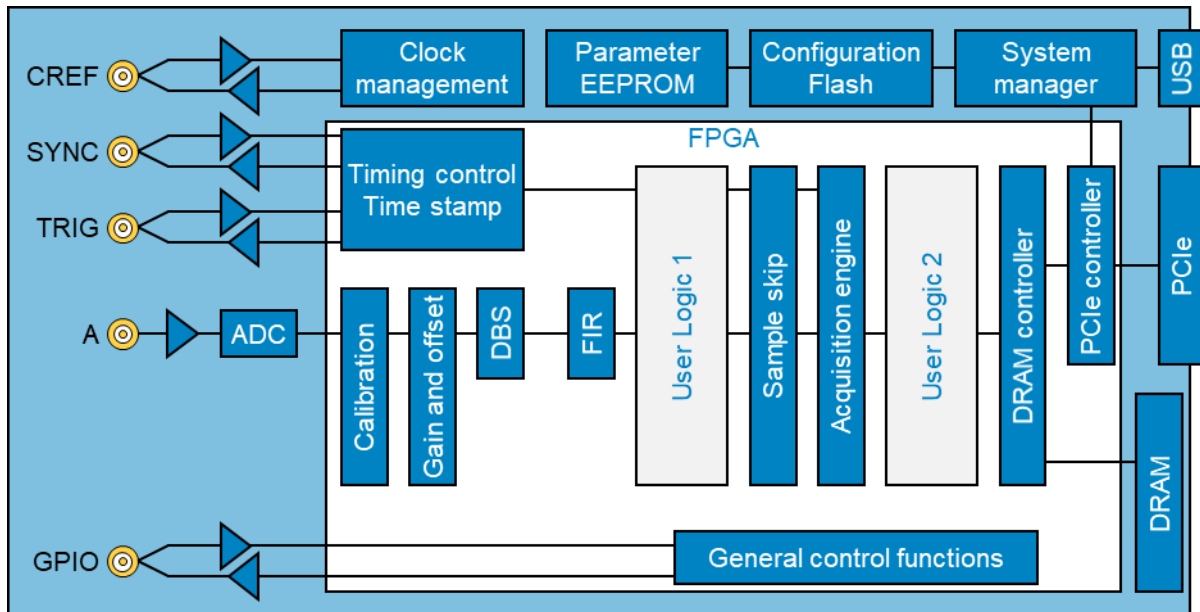


**Figure 3 Frequency response, linear frequency scale.**



**Figure 4 Frequency response, logarithmic frequency scale**

## 8 BLOCK DIAGRAM

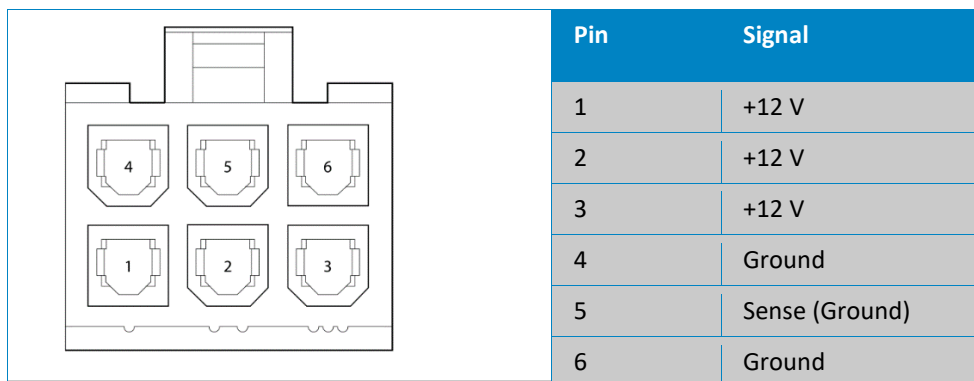


**Figure 5 Block diagram.**

Figure 5 shows a block diagram of ADQ30. The boxes “User Logic” are open for custom real-signal processing thought the firmware development kit (purchased separately).

## 9 HOST PC INTERFACE PCIE

The ADQ30-PCIE is powered from the power supply of the PC via a PCI Express 6-pin (2x3) auxiliary power supply connector. The connection in the cable should be as in Figure 6. A suitable connector is for example Molex 45559-0002. It is important that the auxiliary power supply is turned on immediately when the PC starts. Otherwise, the digitizer will not be recognized on the PCI Express bus.



**Figure 6 Power supply connection. Cable connector, looking into the connector end.**



## 10 GPIO EXPANSION

The FCP connector allows direct access to the FPGA for building custom expansion boards. The FCP connector requires custom firmware and is accessible through the FPGA development kit. The ADQ30 user guide document number 21-2539 contains a description of connector.

Note that this connector is connected directly to the FPGA. Damage caused by custom hardware failure is not covered by warranty.

Contact Teledyne SP Devices' sales representative for more information.

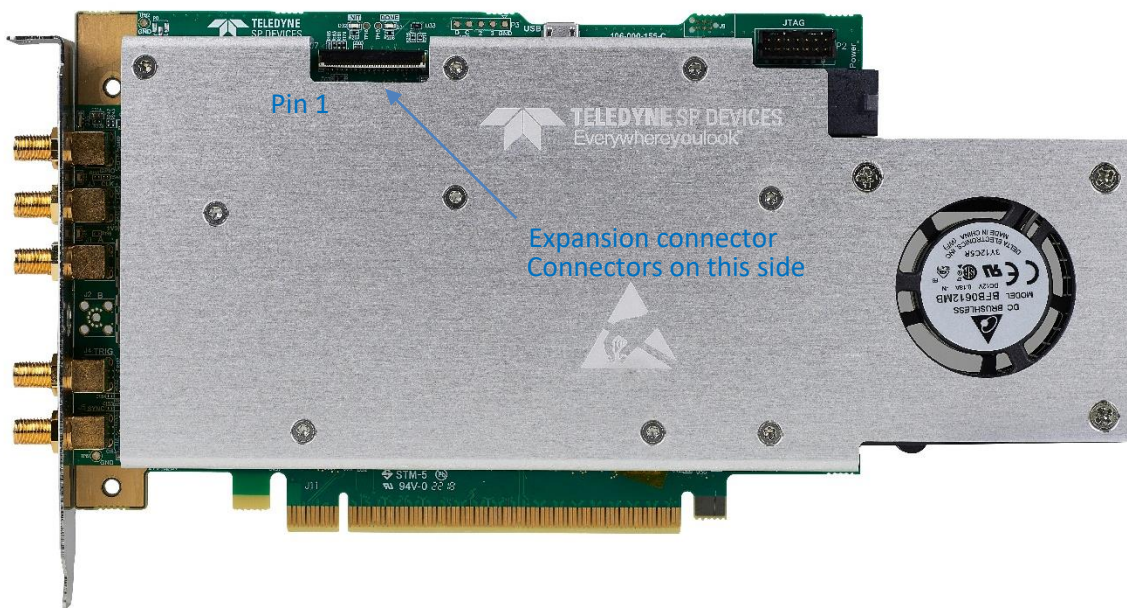
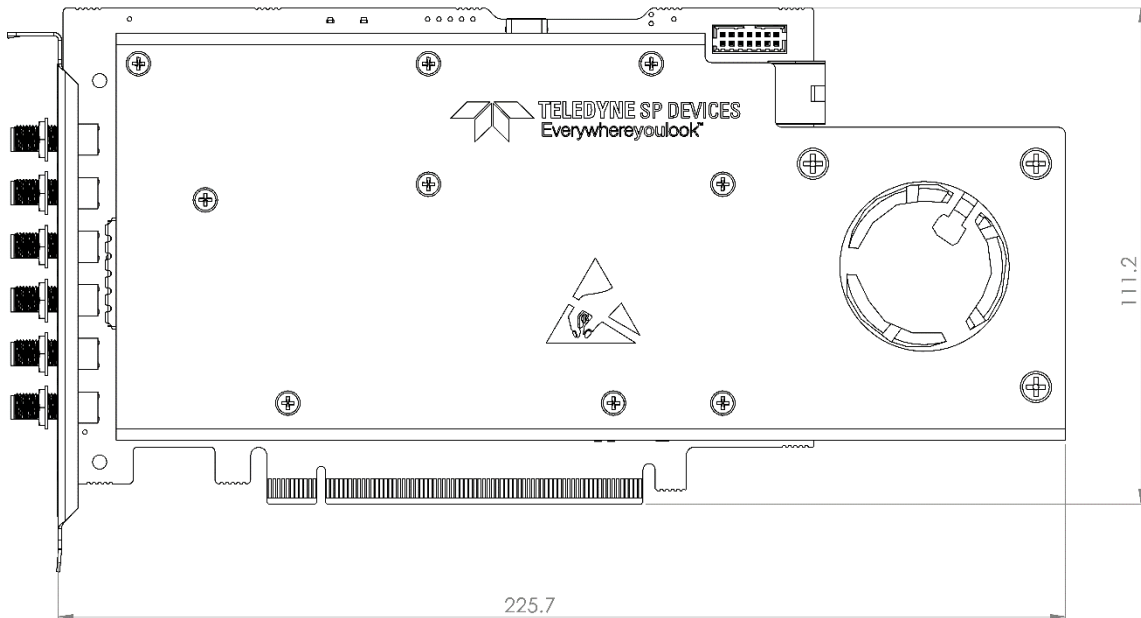


Figure 7 ADQ30 photo showing GPIO expansion connection on the top side.

## 11 MECHANICAL DRAWING



**Figure 8 Mechanical drawing.**

## 12 REFERENCES

Refer to TSPD's web site [spdevices.com](http://spdevices.com) for the latest version of documents.

15-1494 Supported operating systems

18-2059 ADQUpdater user guide

20-2507 ADQ3 series development kit user guide

20-2521 ADQAssist user guide

21-2539 ADQ3 series user guide

22-2912 ADQ3 FWATD datasheet

23-3028 ADQ3 FWPD datasheet

## Important Information

Teledyne Signal Processing Devices Sweden AB (Teledyne SP Devices) reserve the right to make corrections, modifications, enhancements, improvements, and other changes to its products and services at any time and to discontinue any product or service without notice. Customers should obtain the latest relevant information before placing orders and should verify that such information is current and complete. All products are sold subject to Teledyne SP Devices' general terms and conditions supplied at the time of order acknowledgment.

Teledyne SP Devices warrants that each product will be free of defects in materials and workmanship and conform to specifications set forth in published data sheets, for a period of three (3) years. The warranty commences on the date the product is shipped by Teledyne SP Devices. Teledyne SP Devices' sole liability and responsibility under this warranty is to repair or replace any product which is returned to it by Buyer and which Teledyne SP Devices determines does not conform to the warranty. Product returned to Teledyne SP Devices for warranty service will be shipped to Teledyne SP Devices at Buyer's expense and will be returned to Buyer at Teledyne SP Devices' expense. Teledyne SP Devices will have no obligation under this warranty for any products which (i) has been improperly installed; (ii) has been used other than as recommended in Teledyne SP Devices' installation or operation instructions or specifications; or (iii) has been repaired, altered or modified by entities other than Teledyne SP Devices. The warranty of replacement products shall terminate with the warranty of the product. Buyer shall not return any products for any reason without the prior written authorization of Teledyne SP Devices.

In no event shall Teledyne SP Devices be liable for any damages arising out of or related to this document or the information contained in it.

TELEDYNE SP DEVICES' EXPRESS WARRANTY TO BUYER CONSTITUTES TELEDYNE SP DEVICES' SOLE LIABILITY AND THE BUYER'S SOLE REMEDY WITH RESPECT TO THE PRODUCTS AND IS IN LIEU OF ALL OTHER WARRANTIES, LIABILITIES AND REMEDIES. EXCEPT AS THUS PROVIDED, TELEDYNE SP DEVICES DISCLAIMS ALL WARRANTIES, EXPRESS OR IMPLIED, INCLUDING ANY WARRANTY OF MERCHANTABILITY, FITNESS FOR A PARTICULAR PURPOSE OR NON-INFRINGEMENT.

TELEDYNE SP DEVICES DOES NOT INDEMNIFY, NOR HOLD THE BUYER HARMLESS, AGAINST ANY LIABILITIES, LOSSES, DAMAGES AND EXPENSES (INCLUDING ATTORNEY'S FEES) RELATING TO ANY CLAIMS WHATSOEVER. IN NO EVENT SHALL TELEDYNE SP DEVICES BE LIABLE FOR SPECIAL, INCIDENTAL OR CONSEQUENTIAL DAMAGES, INCLUDING LOST PROFIT, LOST DATA AND THE LIKE, DUE TO ANY CAUSE WHATSOEVER. NO SUIT OR ACTION SHALL BE BROUGHT AGAINST TELEDYNE SP DEVICES MORE THAN ONE YEAR AFTER THE RELATED CAUSE OF ACTION HAS ACCRUED. IN NO EVENT SHALL THE ACCRUED TOTAL LIABILITY OF TELEDYNE SP DEVICES FROM ANY LAWSUIT, CLAIM, WARRANTY OR INDEMNITY EXCEED THE AGGREGATE SUM PAID TO SP BY BUYER UNDER THE ORDER THAT GIVES RISE TO SUCH LAWSUIT, CLAIM, WARRANTY OR INDEMNITY.

## Worldwide Sales and Technical Support

[www.spdevices.com](http://www.spdevices.com)

### Teledyne SP Devices Corporate Headquarters

Teknikringen 8D  
SE-583 30 Linköping  
Sweden  
Phone: +46 (0)13 465 0600  
Fax: +46 (0)13 991 3044  
Email: [info@spdevices.com](mailto:info@spdevices.com)

Copyright © 2023 Teledyne Signal Processing Devices Sweden AB. All rights reserved, including those to reproduce this publication or parts thereof in any form without permission in writing from Teledyne SP Devices.